



MANIFOLDS WITH VALVE 1/4 TURN ANTI-LIME MODULAR MANIFOLD

MANIFOLDS SERIE

SCOPE

ANTI-LIME MODULAR MANIFOLD are intended to be used in plumbing centralized systems.

MODULAR MANIFOLD include a 1/4 turn valve in every of their outlets, allowing the individual shut off of different water supply points to proceed to their repairment or replacement.

These MODULAR MANIFOLDS are provided with the quick connection system, FIT. This system allows to configured the desired outlet arrangement making easier and faster its installation.

All of the valves of the manifolds include ARCO 's anti-lime solution, present in other series like, A-80, washing machine, MINI, etc. This solution prevents from the negative effects of lime in the valves.

SERVICE CONDITIONS

Nominal pressure: 16 bar.

Temperature range: cold and hot water up to 95°C

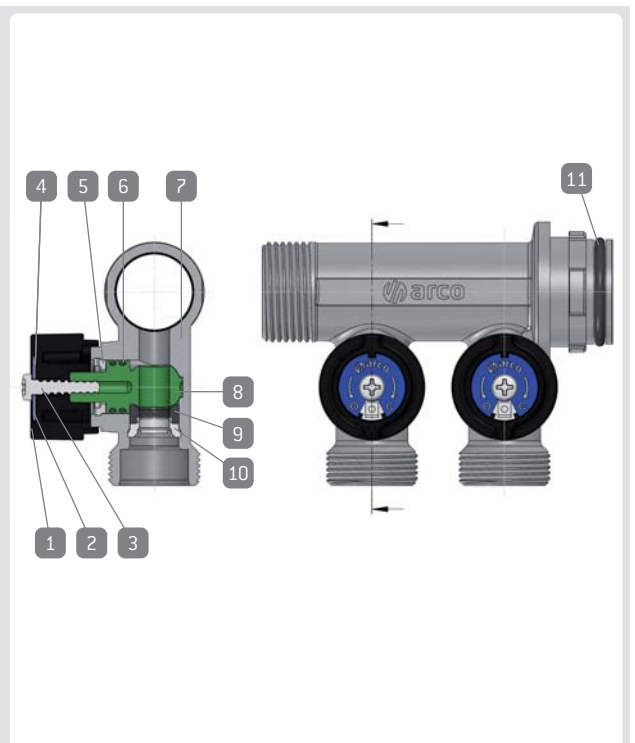
Test Pressure: 25 bar.

Fluid: Water intended to human consumption and domestic hot water

COMPONENTS

ITEM	COMPONENT	MATERIAL	TREATMENT
1	Handle	Polyamide	Black color
2	Indicator plate 1	Aluminum	
3	Screw	Stainless steel	
4	Indicator plate 2	Aluminum	
5	Supporting clip	POM	
6	Seals	NBR	
7	Body	European Brass CW617N	Chrome plated
8	Stem-ball	Antilime Polymer	
9	Seat	NBR	
10	Supporting clip	POM	
11	Seals	EPDM	

¹ according to model

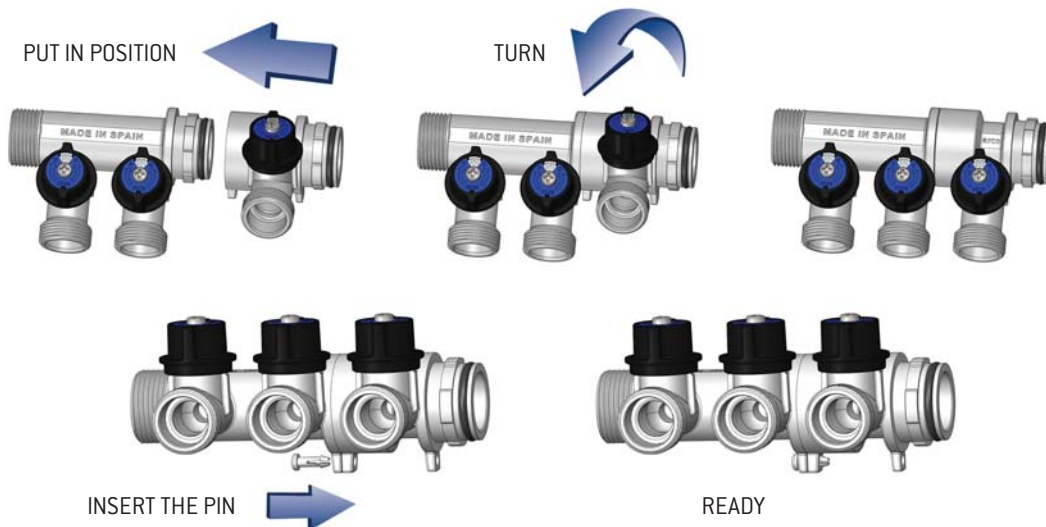


MAIN CONSTRUCTIVE FEATURES

QUICK CONNECTION SYSTEM (FIT)

MODULAR MANIFOLDS are provided with the quick connection system FIT. This system allows to configured the desired outlet arrangement making easier and faster its installation, there is no requirement of sealing materials like PTFE tape.

FIT system eliminate the need of any tool for assembling the different MODULAR MANIFOLD modules. Its assembly is very easy and only requires to fit one module with the other, put them in position and block the joint by the mean of a plastic pin.



ANTILIME POLYMERIC STEM-BALL

Stem and ball are manufactured in one piece made of special anti-lime polymer, which increases its resistance, allows a softer operation of the valve and blocks the lime adhesion on it.

This stem-ball quarter turn system, has the same leak tightness and low loss of pressure features as the quarter turn A-80 series.

In those installations where water's hardness and temperature make easier the lime deposition, as well as a low maneuver frequency; leads to the hard operation of the valve after long periods of time.

This anti-lime ball is the solution to avoid a hard operation and keep a constant flow rate.



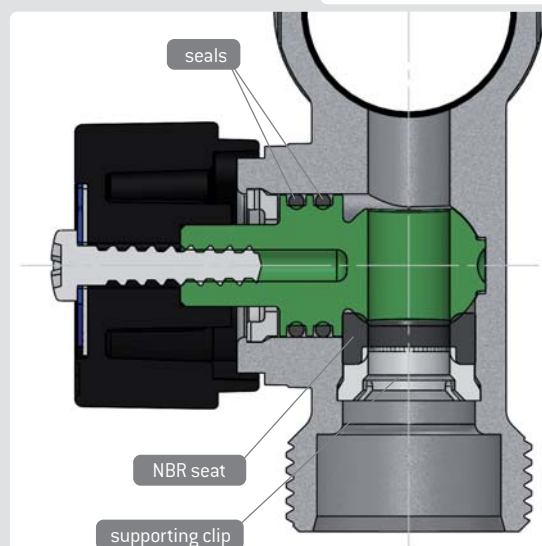
INTERNAL AND EXTERNAL LEAK TIGHTNESS

INTERNAL leak tightness

A NBR SEAT pushed against the stem-ball by the mean of a supporting clip made of POM, guarantees the internal leak tightness. This system provides an extra anti-tampering feature, avoiding dismantling and improper manipulations.

EXTERNAL leak tightness

A double NBR seal placed on the stem- ball assure external leak tightness. This double joint system guarantees double safety against external leakage, use, ageing...

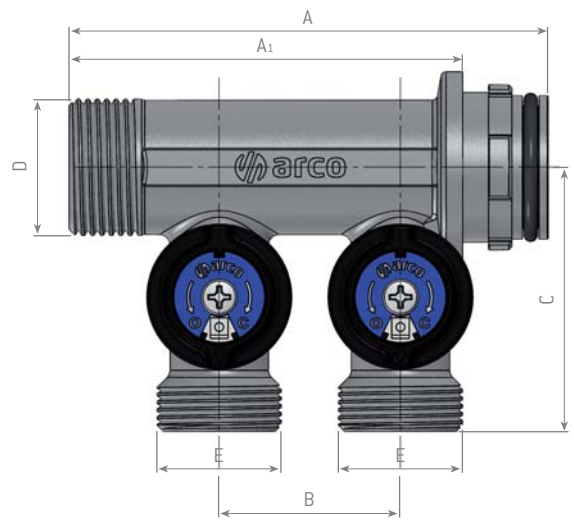


DIMENSIONS

MALE MODULAR MANIFOLD

WAY	A	A ₁	B	C	D	E
2	92	76	35	51	G 3/4	M24x1.5

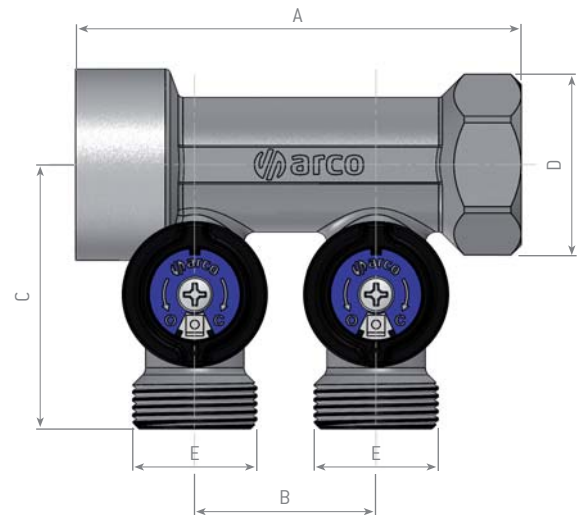
G Thread ISO 228



FEMALE MODULAR MANIFOLD

WAY	A	B	C	D	E
2	86	35	51	G 3/4	M24x1.5

G Thread ISO 228



CENTRAL MODULAR MANIFOLD

WAY	A	A ₁	C	E
1	51	35	51	M24x1.5



ACCESSORIES RANGE

PEX, MULTILAYER OR COPPER PIPE CONNECTIONS

Every outlet has a M24 x 1.5 threaded connection, allowing the connection of PEX, Multilayer or Copper pipes to the manifold.

This connection must be performed with the fittings available in our current catalog.

LOW ACCESSIBILITY OPENING TOOL

Male and female MODULAR MANIFOLDS include in their packaging an opening tool. This tool suits perfectly to the handle allowing the maneuver of the valve in low accessibility conditions, making the maneuver of the valve an easy and comfortable experience in any position which the manifold is installed.

VALVES FOR MANIFOLDS

TURIA ball valves series are suitable to be in contact with water intended to human consumption and domestic hot water, according to the service conditions described in the technical sheet of the Serie TURIA (IPO6010).

CABINETS (Plastic and Metallic)

As complement to the MODULAR MANIFOLDS, it is suitable basic range of cabinets, made of plastic or metal. In the attached Table 1 appears the main different cabinets suitable and its main dimensions.

Cabinets allow to centralize the installation, making easier and quicker the manifolds installation and as well as the future maintenance operations.

All the cabinets are embed and supplied with their covers, brackets are also available (in plastic cabinets brackets are included in the packaging).

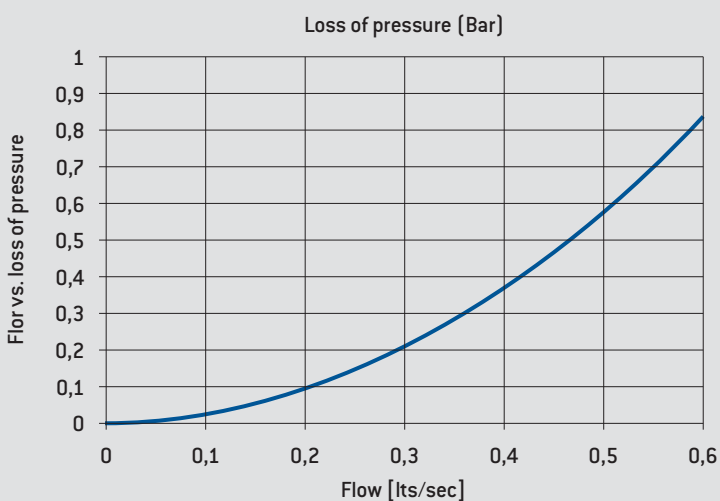


Table 1

Different cabinets suitable and its main dimensions:

	Length	High	Deep
Plastic model 1	320	265	80
Plastic model 2	400	265	80
Plastic model 3	500	265	80
Plastic model 4	600	310	80
Metallic model 1	500	535	110
Metallic model 2	600	535	110

HYDRAULIC FEATURES



Hydraulic features obtained according to EN 1267 standard.

ASSEMBLY AND INSTALATION

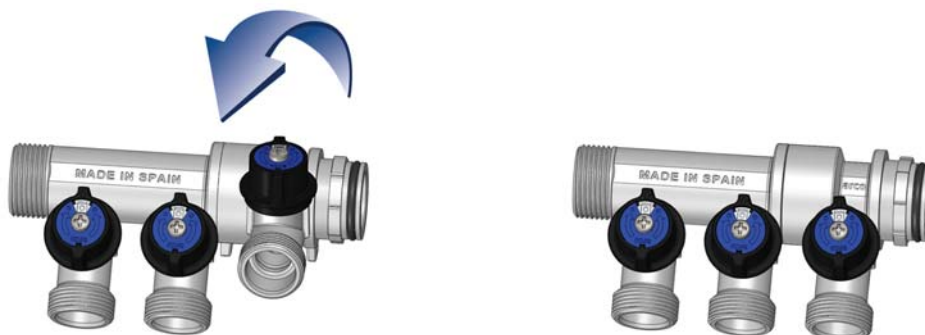
MODULAR MANIFOLDS ASSEMBLY

MODULAR MANIFOLDS quick connection system, FIT, allows to configured the desired outlet arrangement, without any tools requirements. The assembly procedure is described as follows:

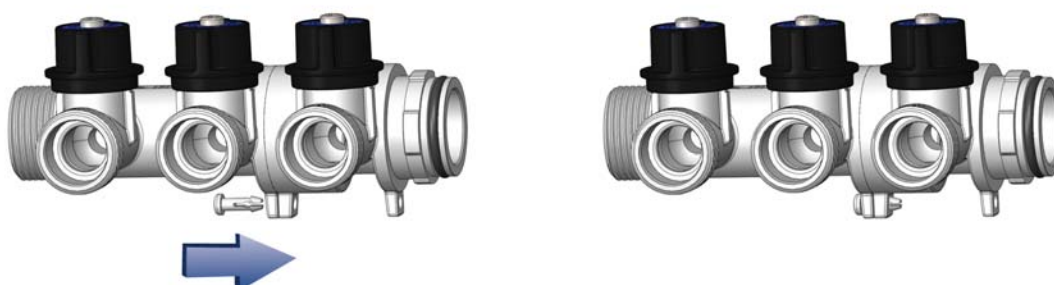
1. Assemble two modules' ends (male-female) and turn one of them 45°, notice that the four metallic male guides must fit with their metallic female guides



2. Turn again one of the manifolds 45° until outlets become perfectly aligned.



3. Block the relative movement between the assembly modules by the mean of a plastic pin.



ASSEMBLY AND INSTALATION (continued)

WATER SUPPLY POINT SELECTION

MODULAR MANIFOLDS' handle is provided with two indicator plates that allow to identify the kind of water supply point in the network.

Indicator Plate 1, in blue or red color, identify cold or hot water, respectively.

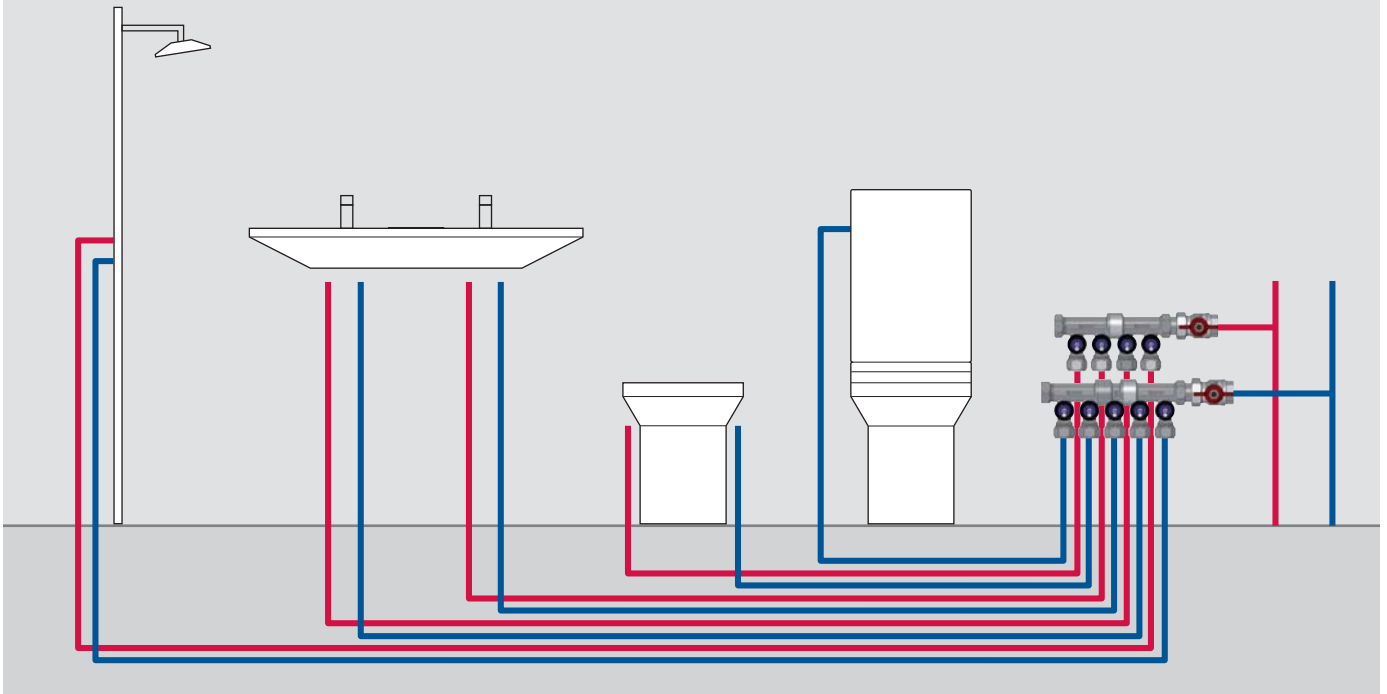
Indicator Plate 2, in white color, shows the seven water supply points, more common in plumbing networks: WC, shower, basin, bidet, bathtub, dishwasher and washing machine.

The procedure to select the water supply point is as follows:

- Remove the screw and extract the two indicator plates.
- Select in the indicator plate 2 the supply point icon that has been connected to the outlet and positioned it in the handle.
- Select in the indicator plate 1 hot or cold water, positioned it, ensuring that the supply point selected previously remains visible through the indicator's plate 1 window.
- Finally screw again the assembly to the handle.



INSTALATION EXAMPLE



Válvulas ARCO, s.l.
Avda. del Cid, 8
46134 Foios (Valencia / Spain)
www.valvulasarco.com

Engineering department:
tel. [+34] 963 171 070
tecnica@valvulasarco.es



Every product has an impact on the environment during all stages of its life-cycle, including final disposal. All components of these valves can be recycled, deposit the valve in a green or recycled point when no longer useful.

Válvulas ARCO, S.L. reserves the right to change our products and specifications at any time and without prior notice.