



ANGLE VALVES A-80 DESIGN

A-80 SERIE

SCOPE

A-80 DESIGN are 1/4 quarter turn angle valves designed for being connected to water pipe system. Their special design makes them suitable for those installations where the angle valves are shown, such as floating basins, clear basins, etc.

They are used to shut off individually water supply to sinks, basins, cisterns and other places to proceed to repair or replace.

SERVICE CONDITIONS

Nominal pressure: 16 bar.

Test pressure: 25 bar.

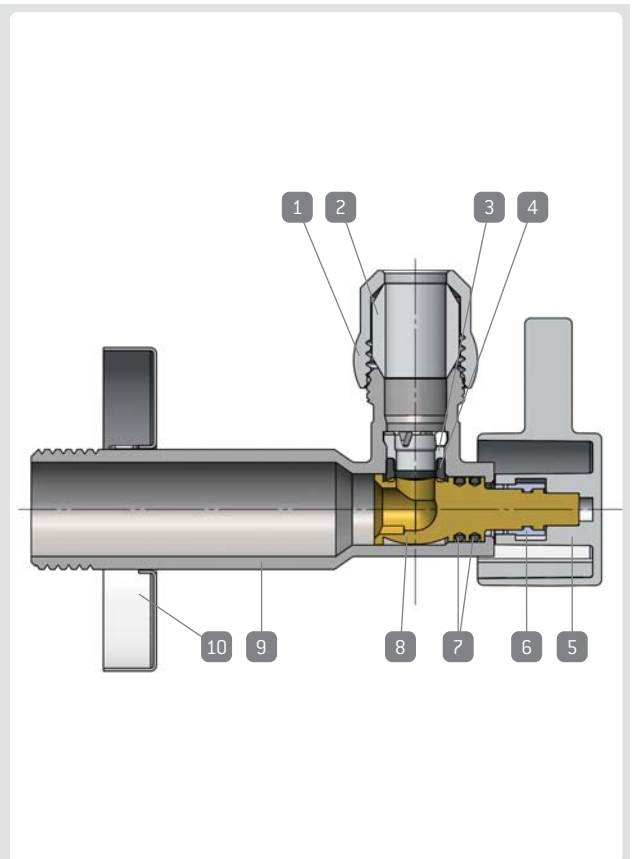
Temperature range: cold and hot water up to 95°C.

Fluid: water intended to human consumption and domestic hot water.

COMPONENTS

ITEM	COMPONENT	MATERIAL	TREATMENT
1	Nut ¹	CW614N European Brass	Polished and chrome plated
2	Bicone ¹	Polyamide	
3	Supporting clip	POM	
4	Seat	NBR	
5	Handle	Zamak	Polished and chrome plated
6	Handle supporting clip	POM	
7	Seals	NBR	
8	Stem & ball	CW614N European Brass	Polished and chrome plated
9	Main body	CW617N European Brass	Polished and chrome plated
10	Rosette	CW617N European Brass	Polished and chrome plated

¹ according to model



MAIN CONSTRUCTIVE FEATURES

DESIGN AND QUALITY FINISHED

The design has been elaborated to satisfy all requirements: a main polished body longer than standard one, the polished chrome plated rosette and a wide assortment of handles to follow the faucet designs of the bathroom. Functionality of this valve keeps a parallel side with its design, becoming another design element of the bathroom.

FIXING HANDLE WITHOUT SCREW

The fixing design of the handle and body made without any seen screw, gives to this valve the characteristic of a complete design piece. A special polished plated of chrome and nickel guarantees resistance and performance.

STEM-BALL

Stem and ball are manufactured in one piece made of European Brass CW614N, which increases its resistance and performance. This original component of ARCO has been designed to reduce loss of pressure, keeping a constant flow rate and avoiding noise.

INTERNAL AND EXTERNAL LEAK TIGHTNESS

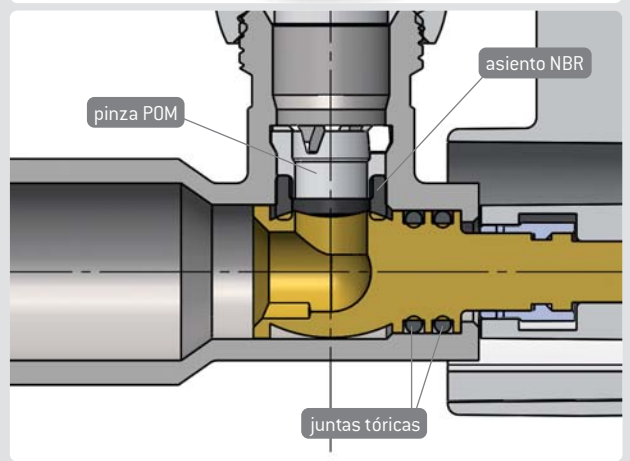
INTERNAL Leak tightness

The supporting clip made of POM is placed in the valve to push the NBR seat against the stem-ball.

This system can not be dismantled, avoiding improper manipulations.

EXTERNAL Leak tightness

A double NBR seal placed on the stem assure external leakiness. This double joint system guarantees safety against external leakage, use, ageing,...

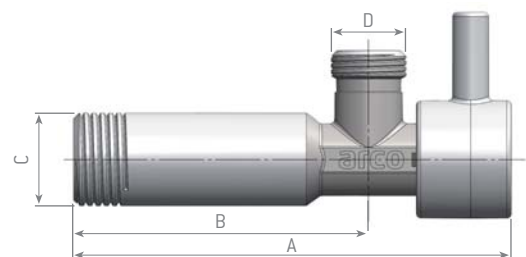


DIMENSIONS

A-80 DESIGN TECH without nut

MEASURE	A	B	C	D
1/2 x 3/8	97	65	G 1/2A	G 3/8A
1/2 x 1/2	97	65	G 1/2A	G 1/2A

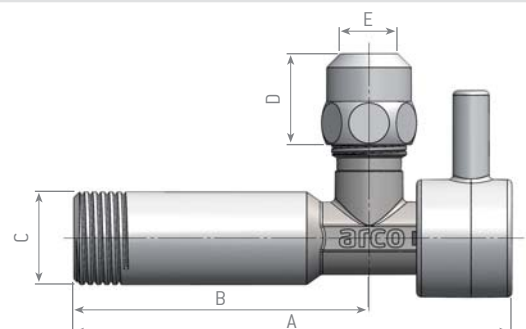
G Thread ISO 228



A-80 DESIGN TECH with nut

MEASURE	A	B	C	D	E
1/2 x 3/8 x 10	97	65	G 1/2A	12,5	10

G Thread ISO 228

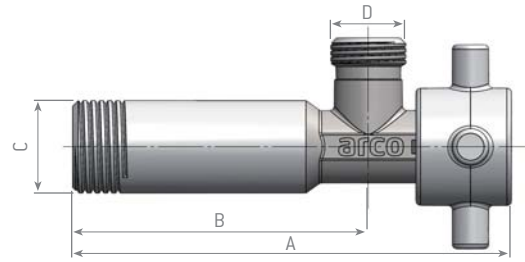


DIMENSIONS (continued)

A-80 DESIGN STAR without nut

MEASURE	A	B	C	D
1/2 x 3/8	97	65	G 1/2A	G 3/8A
1/2 x 1/2	97	65	G 1/2A	G 1/2A

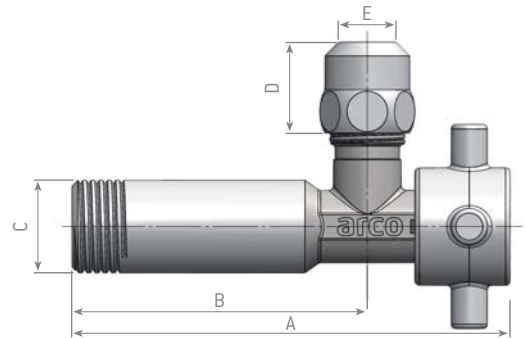
G Thread ISO 228



A-80 DESIGN STAR with nut

MEASURE	A	B	C	D	E
1/2 x 3/8 x 10	97	65	G 1/2A	12,5	10

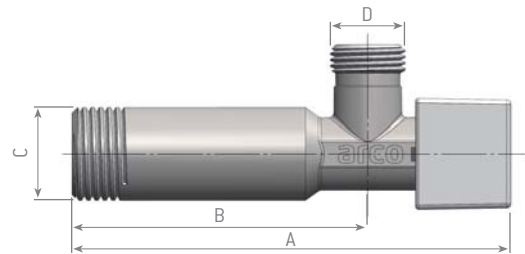
G Thread ISO 228



A-80 DESIGN CUBO without nut

MEASURE	A	B	C	D
1/2 x 3/8	97	65	G 1/2A	G 3/8A
1/2 x 1/2	97	65	G 1/2A	G 1/2A

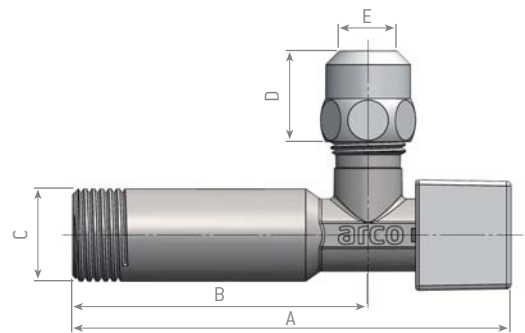
G Thread ISO 228



A-80 DESIGN CUBO with nut

MEASURE	A	B	C	D	E
1/2 x 3/8 x 10	97	65	G 1/2A	12,5	10

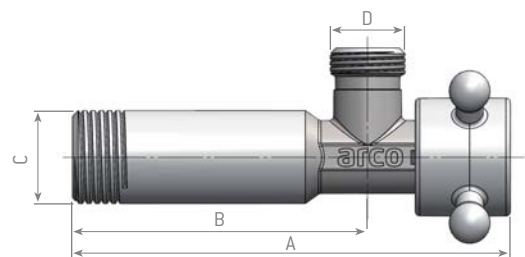
G Thread ISO 228



A-80 DESIGN CLASS without nut

MEASURE	A	B	C	D
1/2 x 3/8	97	65	G 1/2A	G 3/8A
1/2 x 1/2	97	65	G 1/2A	G 1/2A

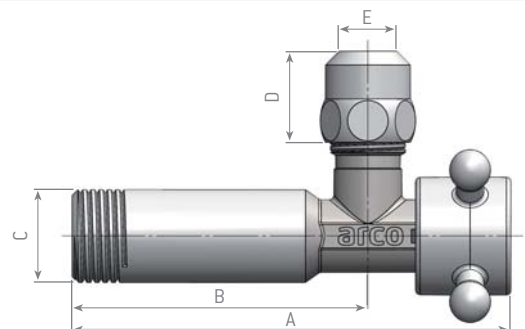
G Thread ISO 228



A-80 DESIGN CLASS with nut

MEASURE	A	B	C	D	E
1/2 x 3/8 x 10	97	65	G 1/2A	12,5	10

G Thread ISO 228



PRODUCT RANGE AND VARIATIONS*

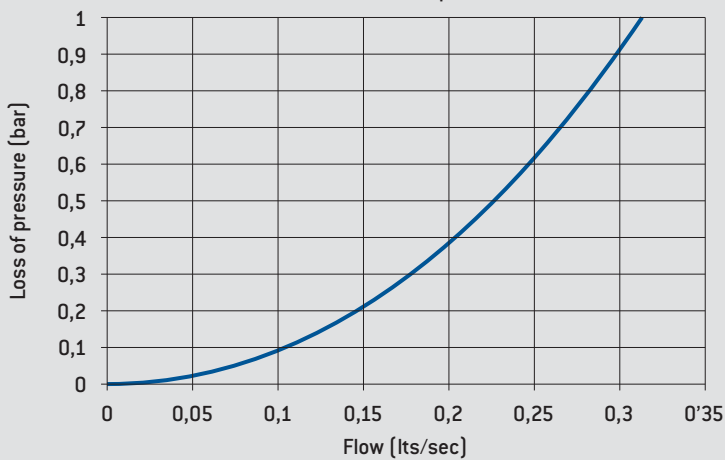
HANDLES

A-80 DESIGN have different handle designs made completely with metal.



HYDRAULIC CHARACTERISTICS

Flow vs. Loss of pressure



Hydraulic characteristics obtained according to EN 1267.

INSTALLATION AND ASSEMBLY

The installation of valves must be done with the right tool, mostly with 15 spanner.

The tool should be adjusted to the flat sides of the body of the valve, avoiding the deformation of the zone by high pressure of the tool.

Components of the valve must not be altered. The substitution or dismantling of the handle can provoke external leaks.

All quarter turn handle valves should work totally open.



Válvulas ARCO, s.l.
Avda. del Cid, 8
46134 Foios (Valencia / Spain)
www.valvulasarco.com

Engineering department:
tel. [+34] 963 171 070
tecnica@valvulasarco.es



Every product has an impact on the environment during all stages of its life-cycle, including final disposal. All components of these valves can be recycled, deposit the valve in a green or recycled point when no longer useful.

Válvulas ARCO, S.L. reserves the right to change our products and specifications at any time and without prior notice.