

VALVES FOR PANEL RADIATORS SINGLE / DOUBLE PIPE

SERIE HEATING

SCOPE

These valves are designed to be connected to steel panel radiators. They are used to shut off individually hot water supply to said panels to proceed to its repair or replace.

Valves for steel panels are available in straight and angle settings for installations of floor or wall respectively, and are operated by means a $\frac{1}{4}$ turn.

SERVICE CONDITIONS

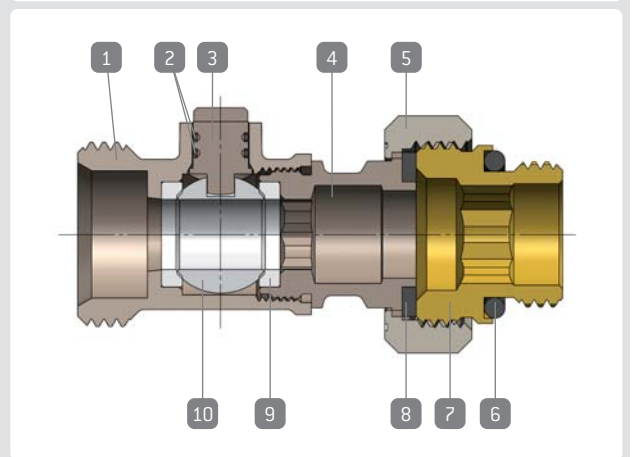
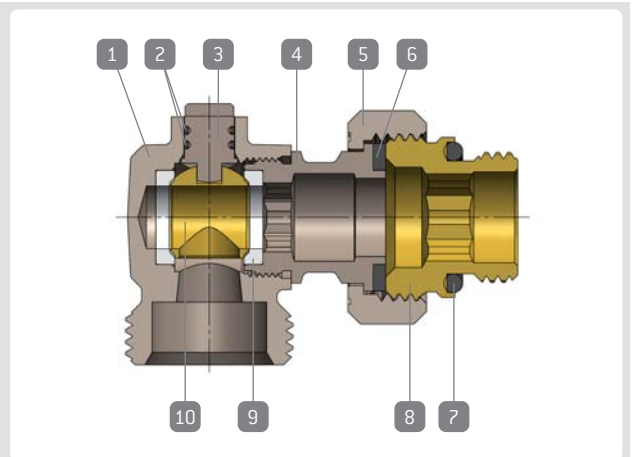
Nominal pressure: 10 bar.

Maximum temperature: 110 °C

COMPONENTS

ITEM	COMPONENT	MATERIAL	TREATMENT
1	Body	CW617N European Brass	Nickel plated
2	Seals	EPDM	
3	Stem	CW614N European Brass	Nickel plated
4	Lateral	CW614N European Brass	Nickel plated
5	Nut	CW614N European Brass	Nickel plated
6	Flat joint	EPDM	
7	O-ring	EPDM	
8	Reduced nipple	CW614N European Brass	Brass color
9	Seats	PTFE	
10	Ball	CW614N European Brass	Chrome plated

ITEM	COMPONENT	MATERIAL	TREATMENT
1	Body	CW617N European Brass	Nickel plated
2	Seals	EPDM	
3	Stem	CW614N European Brass	Nickel plated
4	Lateral	CW614N European Brass	Nickel plated
5	Nut	CW614N European Brass	Nickel plated
6	O-ring	EPDM	
7	Reduced nipple	CW614N European Brass	Brass color
8	Flat joint	EPDM	
9	Seats	PTFE	
10	Ball	CW614N European Brass	Chrome plated



MAIN CONSTRUCTIVE FEATURES

BALL

Inner bore of the ball is DN 10 to reduce the pressure loss of the facility, improving the energy efficiency of the installation.
Made with European brass, surface finish ensures a smooth and uniform switching.



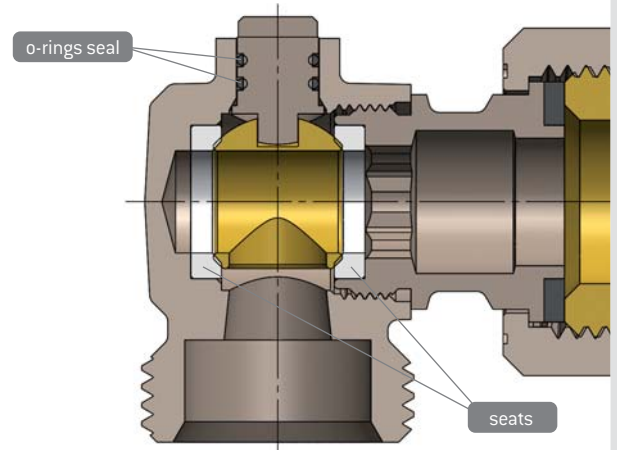
INTERNAL AND EXTERNAL LEAK TIGHTNESS

INTERNAL Leak tightness

Two PTFE seats assure internal leaks tightness.

EXTERNAL Leak tightness

A double EPDM o-rings on the stem assure external leakiness. This double joint system guarantees safety against external leakage, use, ageing,...



REDUCED NIPPLE (according to model)

Reduced nipple 3/4" M x 1/2" M are available according to model.

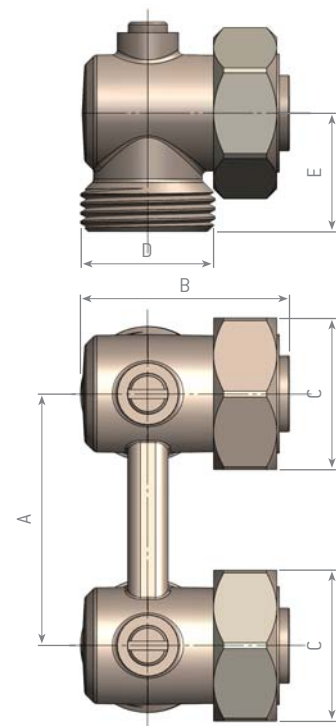


DIMENSIONS

ANGLE VALVE

MEASURE	A	B	C	D	E
3/4 x 3/4	50	39	G 3/4	G 3/4	24

G Thread ISO 228



07940

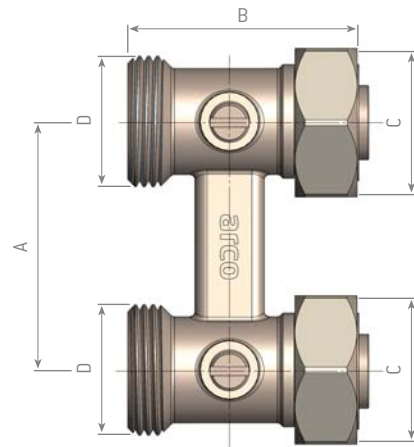
DIMENSIONS (continued)

07930

STRAIGHT VALVE

MEASURE	A	B	C	D
3/4 x 3/4	50	47	G 3/4	G 3/4

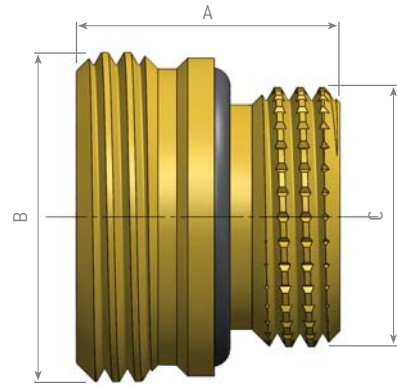
G Thread ISO 228



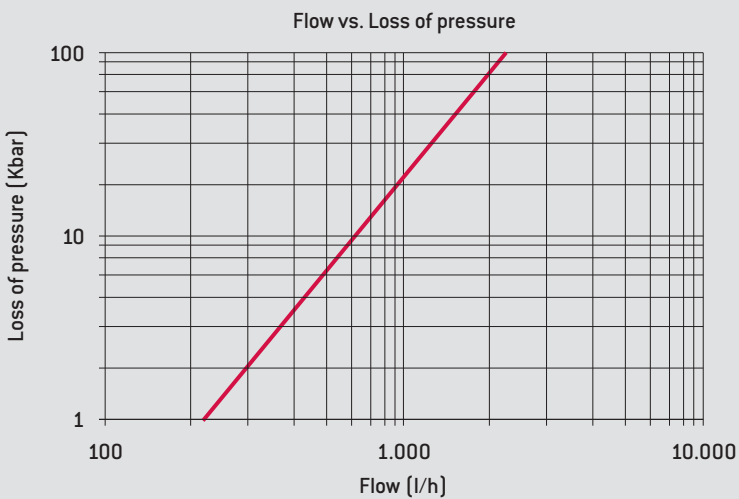
REDUCED NIPPLE

MEASURE	A	B	C
3/4 x 1/2	21	G 3/4	G 1/2

G Thread ISO 228



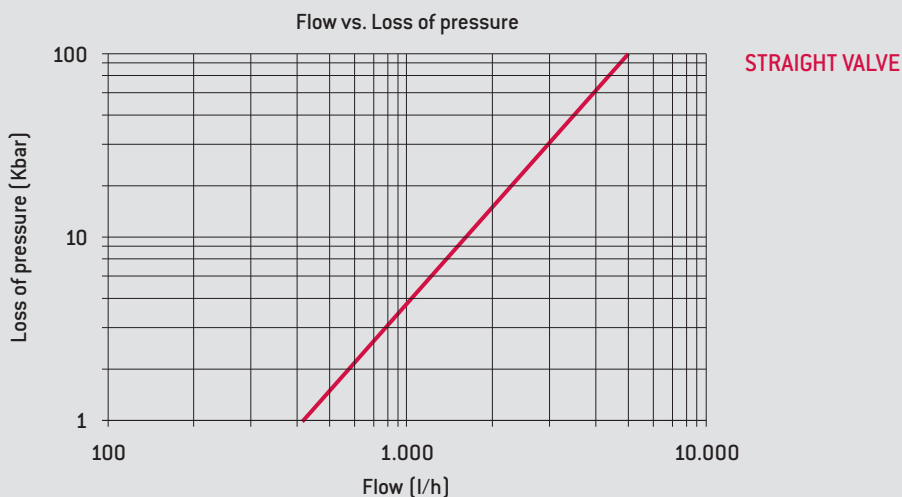
HYDRAULIC CHARACTERISTICS



ANGLE VALVE

Hydraulic characteristics obtained according to EN 1267.

HYDRAULIC CHARACTERISTICS (continued)



Hydraulic characteristics obtained according to EN 1267.

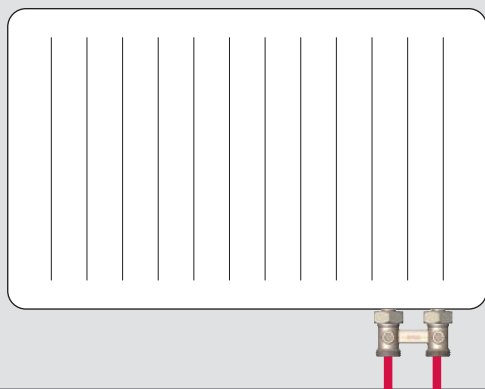
INSTALLATION AND ASSEMBLY

INSTALLATION

The installation of valve must be done with the right tool, which should be adjusted to the flat sides, avoiding the deformation of the zone by high pressure of tool.

Components of the valve must not be modified or disassembled, a leak can occur.

All quarter turn valves for steel panels should work totally open.



Válvulas ARCO, s.l.
Avda. del Cid, 8
46134 Foios (Valencia / Spain)
www.valvulasarco.com

Engineering department:
tel. [+34] 963 171 070
tecnica@valvulasarco.es



Every product has an impact on the environment during all stages of its life-cycle, including final disposal. All components of these valves can be recycled, deposit the valve in a green or recycled point when no longer useful.

Válvulas ARCO, S.L. reserves the right to change our products and specifications at any time and without prior notice.